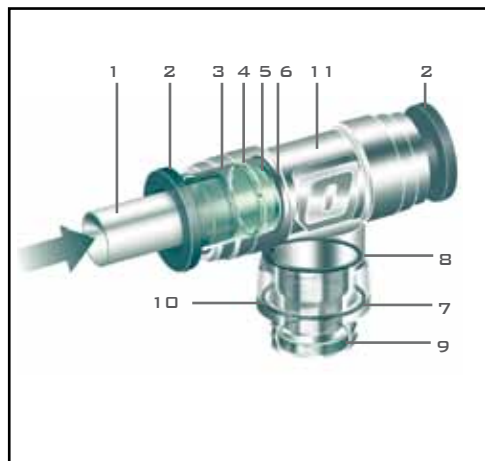


RACCORDI PER PNEUMATICA AD INNESTO RAPIDO IN OT. 58 NICHELATO

«PUSH-IN» PNEUMATIC FITTINGS MADE OF NICKEL PLATED BRASS

RACCORDS POUR INSTALLATIONS PNEUMATIQUES À CONNEXION RAPIDE EN LAIT. 58 NICKELÉ



- 1 - TUBO / PIPE / TUBE
- 2 - PINZA DI SGANCIO (POM) / RELEASE SLEEVE (POM) / BAGUE DE DÉBLOCAGE (POM)
- 3 - GHIERA (OTTONE) / RING (BRASS) / BAGUE (LAITON)
- 4 - RONDELLA ELASTICA (INOX) / LOCKING RING (STAINLESS STEEL) / RONDELLE ÉLASTIQUE (ACIER INOX)
- 5 - BUSSOLA (OTTONE) / BUSH (BRASS) / DOUILLE (LAITON)
- 6 - O-RING INTERNO (NBR - FPM) / INTERNAL O-RING (NBR - FPM) / JOINT TORIQUE INTÉRIEUR (NBR - FPM)
- 7 - O-RING ESTERNO (NBR - FPM) / EXTERNAL O-RING (NBR - FPM) / JOINT TORIQUE EXTÉRIEUR (NBR - FPM)
- 8 - O-RING INTERNO (NBR - FPM) / INTERNAL O-RING (NBR - FPM) / JOINT TORIQUE INTÉRIEUR (NBR - FPM)
- 9 - BUSSOLA PER GIRELLO (OTTONE) / BUSH FOR SWIVEL (BRASS) / DOUILLE POUR ÉCROU (LAITON)
- 10 - GIRELLO (OTTONE) / SWIVEL (BRASS) / ECROU (LAITON)
- 11 - CORPO (OTTONE) / BODY (BRASS) / CORPS (LAITON)

PARTICOLARITÀ

I CLASSICI, QUELLI PIÙ DIFFUSI. ROBUSTI ED AFFIDABILI, CON SISTEMA DI AGGRAFFAGGIO DEL TUBO A RONDELLA DENTATA IN ACCIAIO INOX, CONSENTONO FACILITÀ DI INSERIMENTO E DI ESTRAZIONE DEL TUBO. POSSONO ESSERE FORNITI CON GUARNIZIONE IN NBR O IN FPM. PROGETTATI PER TUBI CON DIAMETRI ESTERNI Ø4, Ø5, Ø6, Ø8, Ø10 E Ø12 NELLE VERSIONI DRITE, AD ANGOLO, A «T», A CROCE FISSE E GIREVOLI, CONSENTONO, GRAZIE ANCHE ALLE PROLUNGHE, AGLI ADATTATORI ED ALLE RIDUZIONI, DI REALIZZARE QUALSIASI CONFIGURAZIONE. TUTTE LE VERSIONI CON FILETTO CILINDRICO POSSIEDONO UNA GUARNIZIONE DI TENUTA O-RING DIETRO IL FILETTO. ADATTI PER USO PNEUMATICO ED IDRAULICO.

PRESSIONE MAX DI IMPIEGO: 18 BAR A 20°C (PER TUBI IN PA11)

TUBI IMPIEGABILI: PA6 E PA11 (NYLON), PU, PE, PTFE

CON TUBI IN POLIURETANO (PU) E IN PTFE SI CONSIGLIA DI ESEGUIRE L'INTRODUZIONE DEL TUBO NEL RACCORDO MANTENENDO PREMUTA LA PINZA DI SGANCIO PER PRESERVARE I TUBI DA EVENTUALI SCALFITTURE CHE POTREBBERO COMPROMETTERE LA TENUTA DELL'O-RING INTERNO. PRE-RIVESTIMENTO FILETTI CON SIGILLANTE SOLIDO A RICHIESTA

SPECIAL CHARACTERISTICS

THE CLASSIC, THE MOST POPULAR. ROBUST AND RELIABLE, WITH A STAINLESS STEEL TOOTHED RING PIPE GRIPPING SYSTEM, PERMITTING EASY PIPE INSERTION AND EXTRACTION. THEY CAN BE SUPPLIED WITH NBR OR FPM GASKETS. DESIGNED FOR PIPES WITH THE FOLLOWING EXTERNAL DIMENSIONS: Ø4, Ø5, Ø6, Ø8, Ø10 AND Ø12 IN THE STRAIGHT, BEND, «T», FIXED CROSS AND SWIVELLING VERSIONS. THANKS ALSO TO THE EXTENSIONS, ADAPTERS AND REDUCERS, THESE FITTINGS CAN BE USED TO CREATE ANY CONFIGURATION. ALL THE VERSIONS WITH A CYLINDRICAL THREAD HAVE AN O-RING SEAL GASKET BEHIND THE THREAD. SUITABLE FOR PNEUMATIC AND HYDRAULIC USE.

MAX. WORKING PRESSURE: 18 BAR AT 20°C (FOR PA11 PIPES)

PIPES THAT CAN BE USED: PA6 AND PA11 (NYLON), PU, PE, PTFE

WITH POLYURETHANE (PU) AND PTFE PIPES, WE SUGGEST INSERTING THE PIPE INTO THE PIPE FITTING BY KEEPING THE RELEASE SLEEVE PRESSED TO PROTECT PIPES AGAINST SCRATCHING THAT COULD DAMAGE THE INTERNAL O-RING SEAL.

THREADS PRE-COATED WITH SOLID SEALANT ON REQUEST

CARACTÉRISTIQUES

LES CLASSIQUES, LES PLUS RÉPANDUS. ROBUSTES SET FIABLES, AVEC UN SYSTÈME DE SERTISSAGE DU TUBE AVEC RONDELLE DENTÉE EN ACIER INOX, ILS ASSURENT UNE INSERTION ET UNE EXTRACTION RAPIDE DU TUBE. ILS PEUVENT ÊTRE FOURNIS AVEC JOINT EN NBR OU EN FPM. CONÇUS POUR TUBES AUX DIAMÈTRES EXTÉRIEURS DE Ø4, Ø5, Ø6, Ø8, Ø10 E Ø12 DANS LES VERSIONS DROITES, COU- DÉES, EN «T», À CROIX FIXES ET TOURNANTS, ILS PERMETTENT, GRÂCE ÉGALEMENT À DES PROLON- GEMENTS, AUX ADAPTATEURS ET AUX RÉDUCTIONS, DE RÉALISER TOUT TYPE DE CONFIGURATION. TOUTES LES VERSIONS AVEC FILET CYLINDRIQUE PRÉSENTENT UN JOINT D'ÉTANCHÉITÉ TORIQUE POSITIONNÉ DERRIÈRE LE FILET. ILS SONT INDICQUÉS POUR DES APPLICATIONS PNEUMATIQUES ET HYDRAULIQUES.

PRESSIÒN MAXIMALE DE FONCTIONNEMENT: 18 BAR À 20°C (POUR TUBES EN PA11)

TUBES UTILISABLES: PA6 ET PA11 (NYLON), PU, PE, PTFE

AVEC DES TUBES EN POLYURÉTHANE (PU) ET EN PTFE, IL EST CONSEILLÉ D'INSÉRER LE TUBE DANS LE RACCORD EN MAINTENANT ENFONCÉE LA BAGUE DE DÉBLOCAGE POUR PROTÉGER LES TUBES CONTRE TOUTE RAYURE POUVANT ENDOMMAGER L'ÉTANCHÉITÉ DU JOINT TORIQUE INTÉRIEUR.

SUR DEMANDE, FILETS PRÉ-REVÊTUS AVEC COLLE À SCELLER SOLIDE.

RACCORDI PER PNEUMATICA AD INNESTO RAPIDO IN OT. 58 NICHELATO TENUTA IN NBR

«PUSH-IN» PNEUMATIC FITTINGS MADE OF NICKEL PLATED BRASS NBR GASKET
 RACCORDS POUR INSTALLATIONS PNEUMATIQUES À CONNEXION RAPIDE EN LAIT. 58 NICKELÉ JOINT EN NBR



VERSIONE SU RICHIESTA CON STRATO DI SIGILLANTE SOLIDO SUI FILETTI CONICI

ON REQUEST VERSION WITH LAYER OF SOLID SEALANT TO THE CONICAL THREADS

VERSION SUR DEMANDE AVEC UNE COUCHE DE COLLE À SCELLER SOLIDE SUR LES FILETS CONIQUES

*SOVRAPREZZO PER TEFLONATURA + 0,20 EURO CADAUNO NETTO

EXTRA-PRICE FOR TEFLON COVERING + 0,20 EUR FOR EVERY CONICAL THREAD

TEMPERATURA DI IMPIEGO FLUIDI - GUARNIZIONI

WORKING TEMPERATURE FLUIDS - GASKETS

TEMPÉRATURE DE FONCTIONNEMENT - FLUIDES - JOINTS

FROM -20 TO 0°C ▶ AIR - GAS - MINERAL OIL ▶ (NBR)
 DE -20 À 0°C ▶ AIR - GAZ - HUILE MINÉRALE

FROM 0 TO 80°C ▶ AIR - WATER - GAS - MINERAL OIL ▶ (NBR)
 DE 0 À 80°C ▶ AIR - EAU - GAZ - HUILE MINÉRALE

FROM 80 TO 110°C ▶ AIR - WATER ▶ (FPM)
 DE 80 À 110°C ▶ AIR - EAU

THE FITTINGS WITH NBR GASKET ARE STANDARD; THOSE WITH FPM GASKET ARE AVAILABLE ON SPECIFIC CUSTOMER REQUEST. FOR USES WITH DIFFERENT FLUIDS, CONTACT THE OLAB TECHNICAL OFFICE.

LES RACCORDS AVEC JOINT EN NBR SONT DES RACCORDS STANDARDS ; CEUX AVEC JOINT EN FPM SONT FOURNIS SUR DEMANDE SPÉCIFIQUE DU CLIENT. POUR TOUT EMPLOI AVEC DES FLUIDES DIFFÉRENTS, CONTACTER LE BUREAU D'ÉTUDE DE OLAB.

F100 "FLASH"

RACCORDI PER PNEUMATICA AD INNESTO RAPIDO IN OT. 58 NICHELATO TENUTA IN NBR

«PUSH-IN» PNEUMATIC FITTINGS MADE OF NICKEL PLATED BRASS NBR GASKET

RACCORDS POUR INSTALLATIONS PNEUMATIQUES À CONNEXION RAPIDE EN LAIT. 58 NICHELÉ JOINT EN NBR

*SOVRAPREZZO PER VERSIONE CON OR IN VITON E TRATTAMENTO TM2
+ 0,60 EURO CADAUNO NETTO
EXTRA-PRICE FOR VITON O-RING AND TM2-TREATMENT +0,60 EUR NET FOR EACH

*SOVRAPREZZO PER VERSIONE CON OR IN VITON E TRATTAMENTO TM4
+ 0,70 EURO CADAUNO NETTO
EXTRA-PRICE FOR VITON O-RING AND TM4-TREATMENT +0,70 EUR NET FOR EACH

SISTEMA DI CODIFICA CODING SYSTEM SYSTÈME DE CODIFICATION

ART.: F100 F-ULR	-F101 F-ULRM	-F102 F-UMR	-F103 F-UMRC	-F104 F-UMRB
F105 F-UFR	-F106 F-ELR	-F107 F-ERC	-F108 F-EG	-F108/1 F-EGL
F109 F-EGC	-F109/1 F-EGCL	-F110 F-TLR	-F111 F-TRCC	-F112 F-TRCS
F113 F-TGC	-F114 F-TGCC	-F115 F-TGS	-F116 F-TGCS	-F117 F-CLR
F118 F-TAP	-F119 F-PRO	-F120 F-ADA	-F121 F-RID	-F122 F-OS
F122/1 F-OSR	-F123 F-OD	-F124/1 F-CSP	-F125/1 F-CDP	-F131 F-YLR
F132 F-YRC	-F137 F-OSA	-F138 F-ODA		

PIPE Ø / TUBE Ø: 4 - 5 - 6 - 8 - 10 - 12 - 14

SEAL VARIATIONS AND RELEASE SLEEVE:

- 00 (NBR SEAL) GREEN RELEASE SLEEVE
- 01 (FPM SEAL) GREEN RELEASE SLEEVE
- 02 (NBR SEAL) BLACK RELEASE SLEEVE
- 03 (NBR SEAL) BLUE RELEASE SLEEVE

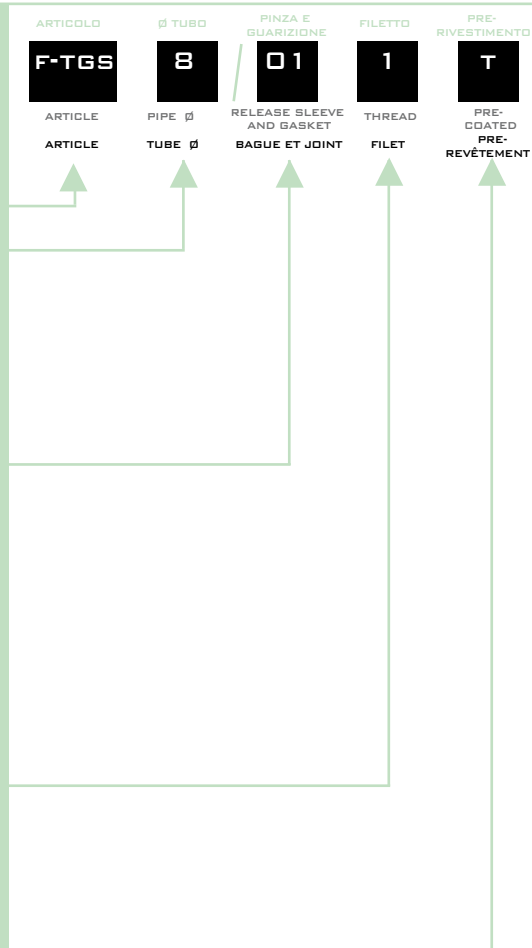
VARIANTES ÉTANCHÉITÉ ET BAGUE:

- 00 (ÉTANCHÉITÉ EN NBR) BAGUE VERT
- 01 (ÉTANCHÉITÉ EN FPM) BAGUE VERT
- 02 (ÉTANCHÉITÉ EN NBR) BAGUE NOIR
- 03 (ÉTANCHÉITÉ EN NBR) BAGUE BLEU

THREAD TYPE: 0 THREAD 1/8" OR NONE 1 THREAD 1/4"
2 THREAD 3/8" - 3 THREAD 1/2"
4 THREAD M3 - 5 THREAD M5

TYPE DE FILET: 0 FILET 1/8" OU PAS DE FILET 1 FILET 1/4"
2 FILET 3/8" - 3 FILET 1/2"
4 FILET M3 - 5 FILET M5

THREADS PRE-COATED WITH SOLID SEALANT ON REQUEST
SUR DEMANDE, FILETS PRÉ-REVÊTUS AVEC COLLE A SCELLER SOLIDE



NOTA: SONO DISPONIBILI ANCHE RACCORDI AD INNESTO RAPIDO PER IMPIEGO IN CAMPO ALIMENTARE CARATTERIZZATI DA:

- CORPO, GHIERA E BUSSOLA IN OTTONE CON TRATTAMENTO TM2
- O-RING IN VITON ALIMENTARE
- COLLAUDO AL 100%

NOTE: COUPLING FITTINGS ARE ALSO AVAILABLE FOR FOODSTUFF APPLICATIONS; THEY ARE COMPOSED OF:

- TM2-TREATED BRASS CASING, RING AND BUSH
- VITON O-RING FOR FOODSTUFF APPLICATIONS
- FULL TESTING

NOTE: DES RACCORDS À CONNEXION RAPIDE SONT ÉGALEMENT DISPONIBLES POUR EMPLOI DANS LE SECTEUR DES ALIMENTS, COMPRENANT:

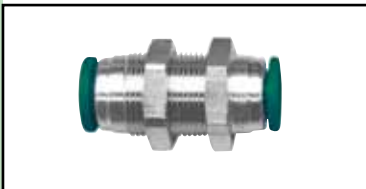
- CORPS, BAGUE ET DOUILLE EN LAITON SOUMIS À TRAITEMENT TM2
- JOINT TORIQUE EN VITON POUR EMPLOI DANS LE SECTEUR DES ALIMENTS
- CONTRÔLE À 100%



ART. F100 F-ULR RACCORDO DIRITTO INTERMEDIO

RIFERIMENTO

CODICE	ØT	CONF.	EURO	CODICE	ØT	CONF.	EURO
F-ULR 4/000	4	50	2,60	F-ULR 6/000	6	50	2,60
F-ULR 5/000	5	50	2,60	F-ULR 8/000	8	50	2,99
				F-ULR 10/000	10	15	3,39
				F-ULR 12/000	12	15	4,11



ART. F101 F-ULRM RACC. DIRITTO INTERM. PASSALAMIERA CON GHIERE DI FISSAGGIO

RIFERIMENTO

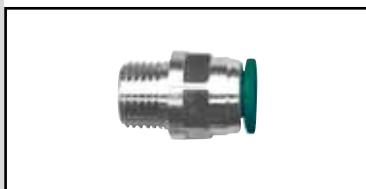
CODICE	ØT	FIL.	CONF.	EURO	CODICE	ØT	FIL.	CONF.	EURO
F-ULRM 4/000	4	M11x1	50	3,37	F-ULRM 6/000	6	M13x1	50	3,49
F-ULRM 5/000	5	M12x1	50	3,44	F-ULRM 8/000	8	M16x1	25	4,06
					F-ULRM 10/000	10	M19x1	15	4,85
					F-ULRM 12/000	12	M22x1	15	6,55



ART. F102 F-UMR RACCORDO DIRITTO MASCHIO CILINDRICO CON OR

RIFERIMENTO

CODICE	ØT	FIL.	CONF.	EURO	CODICE	ØT	FIL.	CONF.	EURO
F-UMR 4/000	4	1/8"	50	1,37	F-UMR 8/001	8	1/4"	50	1,52
F-UMR 4/001	4	1/4"	50	1,68	F-UMR 8/002	8	3/8"	50	1,79
F-UMR 5/000	5	1/8"	50	1,46	F-UMR 10/001	10	1/4"	50	1,82
F-UMR 5/001	5	1/4"	50	1,91	F-UMR 10/002	10	3/8"	50	2,00
F-UMR 6/000	6	1/8"	50	1,38	F-UMR 10/003	10	1/2"	25	2,56
F-UMR 6/001	6	1/4"	50	1,41	F-UMR 12/001	12	1/4"	25	2,60
F-UMR 8/000	8	1/8"	50	1,53	F-UMR 12/002	12	3/8"	25	2,62
					F-UMR 12/003	12	1/2"	25	2,82



ART. F103 F-UMRC* RACCORDO DIRITTO MASCHIO CONICO

RIFERIMENTO

CODICE	ØT	FIL.	CONF.	EURO	CODICE	ØT	FIL.	CONF.	EURO
F-UMRC 4/000	4	1/8"	50	1,28	F-UMRC 8/001	8	1/4"	50	1,46
F-UMRC 4/001	4	1/4"	50	1,33	F-UMRC 8/002	8	3/8"	25	1,65
F-UMRC 5/000	5	1/8"	50	1,39	F-UMRC 10/001	10	1/4"	25	1,75
F-UMRC 5/001	5	1/4"	50	1,47	F-UMRC 10/002	10	3/8"	25	1,73
F-UMRC 6/000	6	1/8"	50	1,27	F-UMRC 10/003	10	1/2"	25	2,54
F-UMRC 6/001	6	1/4"	50	1,35	F-UMRC 12/001	12	1/4"	25	2,39
F-UMRC 8/000	8	1/8"	50	1,47	F-UMRC 12/002	12	3/8"	25	2,46
					F-UMRC 12/003	12	1/2"	25	2,68



ART. F104 F-UMRB RACCORDO DIRITTO MASCHIO SENZA ESAGONO ESTERNO

RIFERIMENTO

CODICE	ØT	FIL.	CONF.	EURO	CODICE	ØT	FIL.	CONF.	EURO
F-UMRB 4/004	4	M3	50	1,54	F-UMRB 8/000	8	1/8"	50	1,65
F-UMRB 4/005	4	M5	50	1,51	F-UMRB 8/001	8	1/4"	50	1,71
F-UMRB 4/000	4	1/8"	50	1,36	F-UMRB 8/002	8	3/8"	50	1,91
F-UMRB 5/005	5	M5	50	1,54	F-UMRB 10/001	10	1/4"	50	1,91
F-UMRB 5/000	5	1/8"	50	1,42	F-UMRB 10/002	10	3/8"	50	2,15
F-UMRB 6/005	6	M5	50	1,28	F-UMRB 10/003	10	1/2"	50	2,41
F-UMRB 6/000	6	1/8"	50	1,42	F-UMRB 12/001	12	1/4"	50	2,42
					F-UMRB 12/002	12	3/8"	50	2,54
					F-UMRB 12/003	12	1/2"	50	2,83

FILETTO METRICO = CILINDRICO CON OR / FILETTO GAS = CONICO
 METRIC THREAD = CYLINDRICAL / GAS THREAD = CONICAL
 FILET MÉTRIQUE = CYLINDRIQUE / FILET GAZ = CONIQUE

CODICE	ØT	FIL.	CONF.	EURO
F-UFR 4/005	4	M5	50	1,87
F-UFR 4/000	4	1/8"	50	1,87
F-UFR 5/005	5	M5	50	1,87
F-UFR 5/000	5	1/8"	50	1,91
F-UFR 5/001	5	1/4"	50	2,16
F-UFR 6/000	6	1/8"	50	1,72
F-UFR 6/001	6	1/4"	50	2,16
F-UFR 8/000	8	1/8"	50	1,98

← RIFERIMENTO



CODICE	ØT	FIL.	CONF.	EURO
F-UFR 8/001	8	1/4"	50	2,34
F-UFR 10/001	10	1/4"	25	2,91
F-UFR 10/002	10	3/8"	25	3,03
F-UFR 12/001	12	1/4"	25	3,19
F-UFR 12/002	12	3/8"	25	3,33
F-UFR 12/003	12	1/2"	25	3,91

ART. F106 F-ELR RACCORDO AD ANGOLO INTERMEDIO

CODICE	ØT	CONF.	EURO
F-ELR 4/000	4	50	2,23
F-ELR 5/000	5	50	2,27
F-ELR 6/000	6	50	2,25
F-ELR 8/000	8	50	3,10

← RIFERIMENTO



CODICE	ØT	CONF.	EURO
F-ELR 10/000	10	25	3,41
F-ELR 12/000	12	15	4,66

ART. F107 F-ERC* RACCORDO AD ANGOLO MASCHIO CONICO FISSO

CODICE	ØT	FIL.	CONF.	EURO
F-ERC 4/000	4	1/8"	50	1,77
F-ERC 5/000	5	1/8"	50	1,80
F-ERC 6/000	6	1/8"	50	1,80
F-ERC 6/001	6	1/4"	50	1,97
F-ERC 8/000	8	1/8"	50	2,24
F-ERC 8/001	8	1/4"	50	2,24
F-ERC 8/002	8	3/8"	25	3,34

← RIFERIMENTO



CODICE	ØT	FIL.	CONF.	EURO
F-ERC 10/001	10	1/4"	25	2,70
F-ERC 10/002	10	3/8"	25	3,34
F-ERC 12/001	12	1/4"	25	3,39
F-ERC 12/002	12	3/8"	25	3,64

ART. F108 F-EG RACCORDO AD ANGOLO GIREVOLE MASCHIO CILINDRICO CON OR

CODICE	ØT	FIL.	CONF.	EURO
F-EG 4/005	4	M5	50	2,76
F-EG 4/000	4	1/8"	50	2,34
F-EG 4/001	4	1/4"	50	2,62
F-EG 5/005	5	M5	50	2,76
F-EG 5/000	5	1/8"	50	2,43
F-EG 5/001	5	1/4"	50	2,63
F-EG 6/005	6	M5	50	2,85
F-EG 6/000	6	1/8"	50	2,42
F-EG 6/001	6	1/4"	50	2,49
F-EG 8/000	8	1/8"	50	2,70

← RIFERIMENTO



CODICE	ØT	FIL.	CONF.	EURO
F-EG 8/001	8	1/4"	25	2,78
F-EG 8/002	8	3/8"	25	3,88
F-EG 10/000	10	1/8"	25	3,33
F-EG 10/001	10	1/4"	25	3,36
F-EG 10/002	10	3/8"	25	3,87
F-EG 10/003	10	1/2"	25	4,60
F-EG 12/001	12	1/4"	15	4,36
F-EG 12/002	12	3/8"	15	4,80
F-EG 12/003	12	1/2"	15	5,55

ART. F108/1 F-EGL RACCORDO AD ANGOLO GIREVOLE CILINDRICO LUNGO CON OR

LOTTO MINIMO 500 - MINIMUM LOT 500

CODICE	ØT	FIL.	CONF.	EURO
F-EGL 4/000	4	1/8"	50	2,82
F-EGL 4/001	4	1/4"	50	3,54
F-EGL 6/000	6	1/8"	50	2,83
F-EGL 6/001	6	1/4"	50	3,54
F-EGL 8/000	8	1/8"	25	3,41

← RIFERIMENTO



CODICE	ØT	FIL.	CONF.	EURO
F-EGL 8/001	8	1/4"	25	3,79
F-EGL 8/002	8	3/8"	15	4,16
F-EGL 10/001	10	1/4"	15	4,57
F-EGL 10/002	10	3/8"	15	4,78



LOTTO MINIMO 500 - MINIMUM LOT 500

RIFERIMENTO ▶

CODICE	ØT	FIL.	CONF.	EURO	CODICE	ØT	FIL.	CONF.	EURO
F-EGCL 4/000	4	1/8"	50	2,82	F-EGCL 6/001	6	1/4"	50	3,49
F-EGCL 4/001	4	1/4"	50	3,49	F-EGCL 8/000	8	1/8"	25	3,46
F-EGCL 6/000	6	1/8"	50	2,89	F-EGCL 8/001	8	1/4"	25	3,70
					F-EGCL 8/002	8	3/8"	15	4,13
					F-EGCL 10/001	10	1/4"	15	4,45
					F-EGCL 10/002	10	3/8"	15	4,65



ART. F109 F-EGC* RACCORDO AD ANGOLO GIREVOLE MASCHIO CONICO

RIFERIMENTO ▶

CODICE	ØT	FIL.	CONF.	EURO	CODICE	ØT	FIL.	CONF.	EURO
F-EGC 4/000	4	1/8"	50	2,31	F-EGC 8/000	8	1/8"	25	2,63
F-EGC 4/001	4	1/4"	50	2,40	F-EGC 8/001	8	1/4"	25	2,68
F-EGC 5/000	5	1/8"	50	2,38	F-EGC 8/002	8	3/8"	25	3,60
F-EGC 5/001	5	1/4"	50	2,59	F-EGC 10/001	10	1/4"	25	3,16
F-EGC 6/000	6	1/8"	50	2,34	F-EGC 10/002	10	3/8"	25	4,05
F-EGC 6/001	6	1/4"	50	2,37	F-EGC 10/003	10	1/2"	15	4,13
					F-EGC 12/001	12	1/4"	15	4,13
					F-EGC 12/002	12	3/8"	15	4,59
					F-EGC 12/003	12	1/2"	15	5,06



ART. F110 F-TLR RACCORDO A "T" INTERMEDIO

RIFERIMENTO ▶

CODICE	ØT	CONF.	EURO	CODICE	ØT	CONF.	EURO
F-TLR 4/000	4	50	3,03	F-TLR 6/000	6	50	2,92
F-TLR 5/000	5	50	3,04	F-TLR 8/000	8	25	3,62
				F-TLR 10/000	10	15	4,70
				F-TLR 12/000	12	10	6,10



ART. F111 F-TRCC* RACCORDO A "T" CENTRALE CONICO MASCHIO FISSO

RIFERIMENTO ▶

CODICE	ØT	FIL.	CONF.	EURO	CODICE	ØT	FIL.	CONF.	EURO
F-TRCC 4/000	4	1/8"	50	2,68	F-TRCC 8/001	8	1/4"	25	3,21
F-TRCC 5/000	5	1/8"	50	2,68	F-TRCC 8/002	8	3/8"	25	3,53
F-TRCC 6/000	6	1/8"	50	2,68	F-TRCC 10/001	10	1/4"	15	4,14
F-TRCC 6/001	6	1/4"	50	2,76	F-TRCC 10/002	10	3/8"	15	4,21
F-TRCC 8/000	8	1/8"	25	3,21	F-TRCC 12/001	12	1/4"	15	5,37
					F-TRCC 12/002	12	3/8"	15	5,51



ART. F112 F-TRCS* RACCORDO A "T" LATERALE CONICO MASCHIO FISSO

LOTTO MINIMO 500 - MINIMUM LOT 500

RIFERIMENTO ▶

CODICE	ØT	FIL.	CONF.	EURO	CODICE	ØT	FIL.	CONF.	EURO
F-TRCS 4/000	4	1/8"	50	2,68	F-TRCS 8/001	8	1/4"	25	3,21
F-TRCS 5/000	5	1/8"	50	2,68	F-TRCS 8/002	8	3/8"	25	3,53
F-TRCS 6/000	6	1/8"	50	2,68	F-TRCS 10/001	10	1/4"	15	4,14
F-TRCS 6/001	6	1/4"	50	2,76	F-TRCS 10/002	10	3/8"	15	4,21
F-TRCS 8/000	8	1/8"	25	3,21	F-TRCS 12/001	12	1/4"	15	5,37
					F-TRCS 12/002	12	3/8"	15	5,51



ART. F117 F-CLR RACCORDO A GROCE

RIFERIMENTO ▶

CODICE	ØT	CONF.	EURO	CODICE	ØT	CONF.	EURO
F-CLR 4/000	4	25	5,58	F-CLR 8/000	8	15	6,43
F-CLR 5/000	5	25	5,67	F-CLR 10/000	10	10	7,75
F-CLR 6/000	6	25	5,80	F-CLR 12/000	12	5	11,42

ART. F112 F-TGC CILINDRICO MASCHIO CON OR



CODICE	ØT	FIL.	CONF.	EURO	RIFERIMENTO					
F-TGC 4/000	4	1/8"	50	3,28						
F-TGC 5/000	5	1/8"	50	3,34						
F-TGC 6/000	6	1/8"	50	3,30						
F-TGC 6/001	6	1/4"	50	3,39						
F-TGC 8/000	8	1/8"	25	3,84						
F-TGC 8/001	8	1/4"	25	3,97						
F-TGC 8/002	8	3/8"	25	4,34						

CODICE	ØT	FIL.	CONF.	EURO
F-TGC 10/001	10	1/4"	15	5,61
F-TGC 10/002	10	3/8"	15	5,97
F-TGC 10/003	10	1/2"	15	6,69
F-TGC 12/001	12	1/4"	15	6,01
F-TGC 12/002	12	3/8"	15	6,37
F-TGC 12/003	12	1/2"	10	7,12

ART. F114 F-TGCC* RACC. A "T" CENTRALE GIREVOLE CONICO MASCHIO



CODICE	ØT	FIL.	CONF.	EURO	RIFERIMENTO					
F-TGCC 4/000	4	1/8"	50	3,22						
F-TGCC 5/000	5	1/8"	50	3,31						
F-TGCC 6/000	6	1/8"	50	3,22						
F-TGCC 6/001	6	1/4"	50	3,28						
F-TGCC 8/000	8	1/8"	25	3,88						
F-TGCC 8/001	8	1/4"	25	3,93						
F-TGCC 8/002	8	3/8"	25	4,34						

CODICE	ØT	FIL.	CONF.	EURO
F-TGCC 10/001	10	1/4"	15	5,56
F-TGCC 10/002	10	3/8"	15	5,93
F-TGCC 10/003	10	1/2"	15	6,64
F-TGCC 12/001	12	1/4"	15	5,98
F-TGCC 12/002	12	3/8"	15	6,13
F-TGCC 12/003	12	1/2"	10	6,69

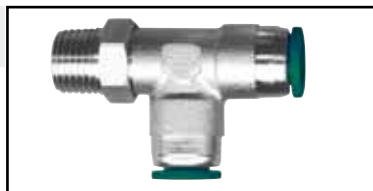
ART. F115 F-TGS RACC. A "T" LATERALE GIREVOLE CILINDRICO MASCHIO CON OR



CODICE	ØT	FIL.	CONF.	EURO	RIFERIMENTO					
F-TGS 4/000	4	1/8"	50	3,28						
F-TGS 5/000	5	1/8"	50	3,34						
F-TGS 6/000	6	1/8"	50	3,30						
F-TGS 6/001	6	1/4"	50	3,39						
F-TGS 8/000	8	1/8"	25	3,84						
F-TGS 8/001	8	1/4"	25	3,97						
F-TGS 8/002	8	3/8"	25	4,34						

CODICE	ØT	FIL.	CONF.	EURO
F-TGS 10/001	10	1/4"	15	5,61
F-TGS 10/002	10	3/8"	15	5,97
F-TGS 10/003	10	1/2"	10	6,69
F-TGS 12/001	12	1/4"	10	6,11
F-TGS 12/002	12	3/8"	10	6,85
F-TGS 12/003	12	1/2"	10	6,37

ART. F116 F-TGCS* RACC. A "T" LATERALE GIREVOLE CONICO MASCHIO



CODICE	ØT	FIL.	CONF.	EURO	RIFERIMENTO					
F-TGCS 4/000	4	1/8"	50	3,22						
F-TGCS 5/000	5	1/8"	50	3,31						
F-TGCS 6/000	6	1/8"	50	3,22						
F-TGCS 6/001	6	1/4"	50	3,27						
F-TGCS 8/000	8	1/8"	25	3,88						
F-TGCS 8/001	8	1/4"	25	3,93						
F-TGCS 8/002	8	3/8"	25	4,34						

CODICE	ØT	FIL.	CONF.	EURO
F-TGCS 10/001	10	1/4"	15	5,56
F-TGCS 10/002	10	3/8"	15	5,93
F-TGCS 10/003	10	1/2"	10	6,64
F-TGCS 12/001	12	1/4"	10	5,98
F-TGCS 12/002	12	3/8"	10	6,11
F-TGCS 12/003	12	1/2"	10	6,37

ART. F118 F-TAP TAPPO



CODICE	ØT	CONF.	EURO	RIFERIMENTO		
F-TAP 4/000	4	50	0,81			
F-TAP 5/000	5	50	0,81			
F-TAP 6/000	6	50	0,81			
F-TAP 8/000	8	50	0,90			
F-TAP 10/000	10	50	1,02			

CODICE	ØT	CONF.	EURO
F-TAP 12/000	12	50	1,20
F-TAP 14/000	14	10	1,80

F100 "FLASH"



RIFERIMENTO

CODICE	ØT	CONF.	EURO	CODICE	ØT	CONF.	EURO
F-PRO 4/000	4	50	1,10	F-PRO 8/000	8	50	1,07
F-PRO 5/000	5	50	1,10	F-PRO 10/000	10	50	1,11
F-PRO 6/000	6	50	0,90	F-PRO 12/000	12	50	1,21
				F-PRO 14/000	14	10	1,68



ART. F120 F-ADA

ADATTATORE CILINDRICO MASCHIO CON OR

RIFERIMENTO

CODICE	ØT	FIL.	CONF.	EURO	CODICE	ØT	FIL.	CONF.	EURO
F-ADA 4/005	4	M5	50	1,24	F-ADA 8/000	8	1/8"	50	1,48
F-ADA 4/000	4	1/8"	50	1,35	F-ADA 8/001	8	1/4"	50	1,62
F-ADA 4/001	4	1/4"	50	1,51	F-ADA 8/002	8	3/8"	50	1,92
F-ADA 5/005	5	M5	50	1,17	F-ADA 10/001	10	1/4"	50	1,51
F-ADA 5/000	5	1/8"	50	1,36	F-ADA 10/002	10	3/8"	50	1,87
F-ADA 5/001	5	1/4"	50	1,65	F-ADA 10/003	10	1/2"	25	2,46
F-ADA 6/005	6	M5	50	1,19	F-ADA 12/001	12	1/4"	25	1,81
F-ADA 6/000	6	1/8"	50	1,44	F-ADA 12/002	12	3/8"	25	2,22
F-ADA 6/001	6	1/4"	50	1,62	F-ADA 12/003	12	1/2"	25	2,98
					F-ADA 14/003	14	1/2"	10	4,43



ART. F121 F-RID

RACCORDO DI RIDUZIONE

RIFERIMENTO

CODICE	ØT	ØT1	CONF.	EURO	CODICE	ØT	ØT1	CONF.	EURO
F-RID 5/000	5	4	50	1,65	F-RID 8/001	8	5	50	1,71
F-RID 6/000	6	4	50	1,63	F-RID 8/002	8	6	50	1,71
F-RID 6/001	6	5	50	2,60	F-RID 10/002	10	6	50	1,99
F-RID 8/000	8	4	50	1,71	F-RID 10/003	10	8	50	2,06
					F-RID 12/002	12	6	25	2,14
					F-RID 12/003	12	8	25	2,16
					F-RID 12/004	12	10	25	2,28



ART. F137 F-OSA

RAC. ORIENTABILE SINGOLO CON ASTA CILINDRICO MASC. CON OR

LOTTO MINIMO 500 - MINIMUM LOT 500

RIFERIMENTO

CODICE	ØT	FIL.	CONF.	EURO	CODICE	ØT	FIL.	CONF.	EURO
F-OSA4/005	4	M5	50	5,03	F-OSA6/000	6	1/8"	25	5,30
F-OSA4/000	4	1/8"	50	5,42	F-OSA6/001	6	1/4"	25	5,58
F-OSA5/005	5	M5	50	5,03	F-OSA8/000	8	1/8"	25	5,53
F-OSA5/000	5	1/8"	50	5,42	F-OSA8/001	8	1/4"	25	5,95
F-OSA6/005	6	M5	25	5,03	F-OSA10/001	10	1/4"	15	6,65
					F-OSA12/001	12	1/4"	10	6,67



ART. F138 F-ODA

RAC. ORIENTABILE DOPPIO CON ASTA CILINDRICO MASC. CON OR

LOTTO MINIMO 500 - MINIMUM LOT 500

RIFERIMENTO

CODICE	ØT	FIL.	CONF.	EURO	CODICE	ØT	FIL.	CONF.	EURO
F-ODA4/005	4	M5	25	6,87	F-ODA6/000	6	1/8"	25	7,28
F-ODA4/000	4	1/8"	25	7,28	F-ODA6/001	6	1/4"	25	7,34
F-ODA5/005	5	M5	25	6,87	F-ODA8/000	8	1/8"	15	7,29
F-ODA5/000	5	1/8"	25	7,28	F-ODA8/001	8	1/4"	15	8,10
					F-ODA10/001	10	1/4"	10	8,33
					F-ODA12/001	12	1/4"	10	8,87

CODICE	ØT	CONF.	EURO	RIFERIMENTO			
F-YLR 4/000	4	50	5,02	CODICE	ØT	CONF.	EURO
F-YLR 5/000	5	50	5,04				
				F-YLR 6/000	6	50	5,22



ART. F132 F-YRC*

RACCORDO A "Y"
FILETTATO

FILETTO METRICO = CILINDRICO / FILETTO GAS = CONICO
METRIC THREAD = CYLINDRICAL / GAS THREAD = CONICAL
FILET MÉTRIQUE = CYLINDRIQUE / FILET GAZ = CONIQUE



CODICE	ØT	FIL.	CONF.	EURO	RIFERIMENTO				
F-YRC 4/005	4	M5	50	4,25	CODICE	ØT	FIL.	CONF.	EURO
F-YRC 4/000	4	1/8"	50	4,25					
					F-YRC 5/000	5	1/8"	50	4,56
					F-YRC 6/000	6	1/8"	50	4,56

ART. F122 F-OS

RAC. AD OCCHIEL. ORIENT. SING. PER COLONNE
FIL. GAS E METR. E PER REGOLAT. FIL. GAS CILIN.

FIL. = RIFERIMENTO FILETTO COLONNA
FIL. = COLUMN THREAD REFERENCE
FIL. = RÉFÉRENCE FILET COLONNE



CODICE	ØT	FIL.	CONF.	EURO	RIFERIMENTO				
F-OS 4/005	4	M5	25	2,11	CODICE	ØT	FIL.	CONF.	EURO
F-OS 4/000	4	1/8"	25	2,06					
F-OS 5/005	5	M5	25	2,11	F-OS 8/000	8	1/8"	25	2,18
F-OS 5/000	5	1/8"	25	2,06	F-OS 8/001	8	1/4"	25	2,31
F-OS 6/005	6	M5	25	1,95	F-OS 8/002	8	3/8"	25	2,59
F-OS 6/000	6	1/8"	25	2,06	F-OS 10/001	10	1/4"	25	2,54
F-OS 6/001	6	1/4"	25	2,16	F-OS 10/002	10	3/8"	25	2,71
					F-OS 12/001	12	1/4"	25	2,91

ART. F123 F-OD

RAC. AD OCCHIELLO ORIENTABILE
DOPPIO PER COLONNE

FIL. = RIFERIMENTO FILETTO COLONNA
FIL. = COLUMN THREAD REFERENCE
FIL. = RÉFÉRENCE FILET COLONNE

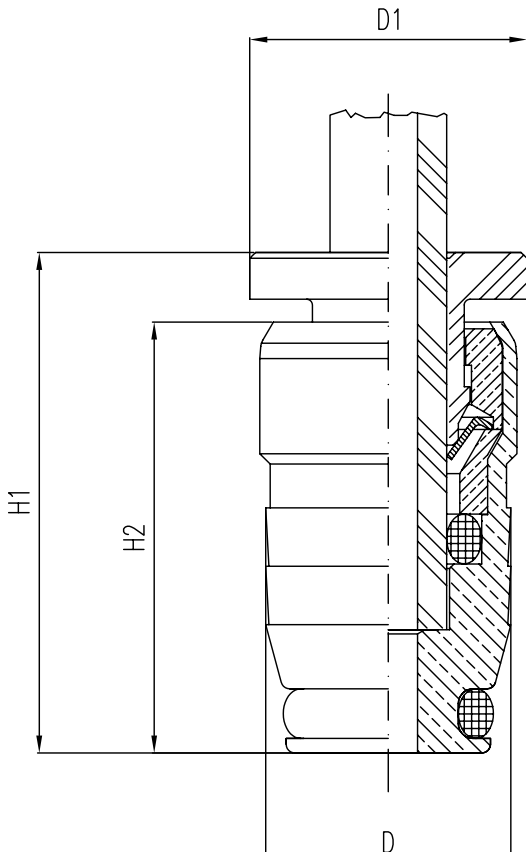


CODICE	ØT	FIL.	CONF.	EURO	RIFERIMENTO				
F-OD 4/005	4	M5	25	3,69	CODICE	ØT	FIL.	CONF.	EURO
F-OD 4/000	4	1/8"	25	3,69					
F-OD 5/005	5	M5	25	3,69	F-OD 8/000	8	1/8"	25	3,66
F-OD 5/000	5	1/8"	25	3,69	F-OD 8/001	8	1/4"	25	3,91
F-OD 6/005	6	M5	25	3,76	F-OD 8/002	8	3/8"	25	4,27
F-OD 6/000	6	1/8"	25	3,34	F-OD 10/001	10	1/4"	25	4,15
F-OD 6/001	6	1/4"	25	3,49	F-OD 10/002	10	3/8"	25	4,56
					F-OD 12/001	12	1/4"	25	4,96



CARTUCCIA
CARTRIDGE
CARTOUCHE

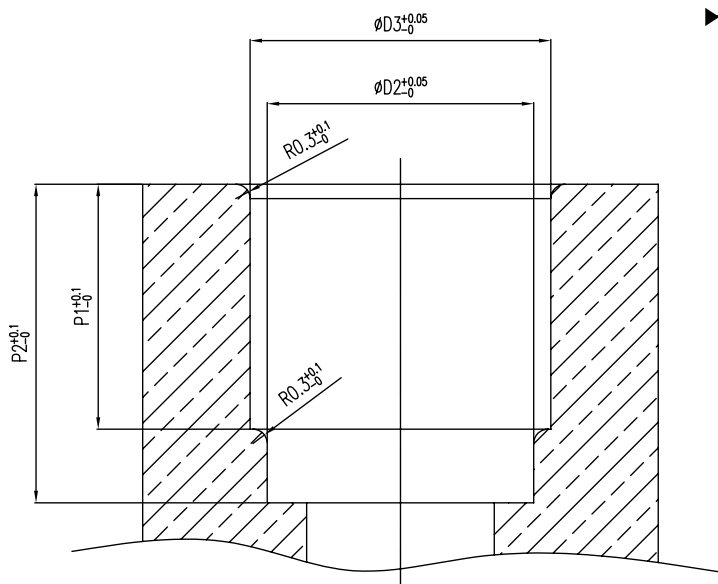
CARTUCCIA



COD. CODE	TUBO TUBE	D	D1	H1	H2	EURO	CONF. PACK
DIS.7116	4	8,4	9,5	17,2	14,8	2,33	50
DIS.7082	6	10,4	10,2	16,6	14,2	2,37	50
DIS.7112	8	12,4	14,4	19,3	17	2,59	50
DIS.7111	10	16,6	16	21,6	19	3,35	50
DIS.7114	12	18,6	20	22,6	19,2	4,03	50

DIMENSIONI PER SEDE IN OTTONE O ALLUMINIO
SIZES FOR BRASS OR ALUMINIUM SEAT
DIMENSIONS POUR LOGEMENT EN LAITON OU EN ALUMINIUM

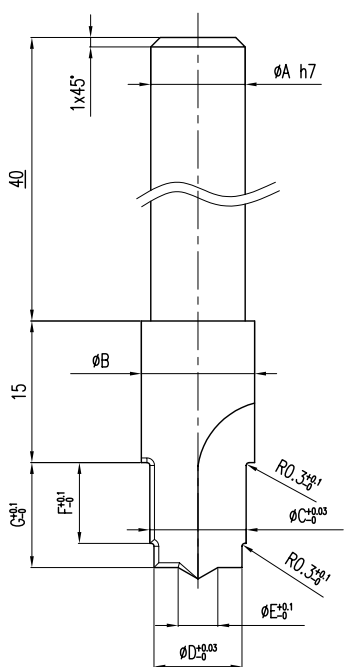
SEDE CARTUCCIA



POS	TUBO TUBE	D2	D3	P1	P2
1	4	7,2	8,25	7,55	9,9
2	6	9,3	10,2	8,55	11,1
3	8	11,3	12,2	8,55	11,8
4	10	15,4	16,4	11,55	16,1
5	12	17,4	18,4	12,55	17,1

DIMENSIONI PER SEDE IN OTTONE O ALLUMINIO
 SIZES FOR BRASS OR ALUMINIUM SEAT
 DIMENSIONS POUR LOGEMENT EN LAITON OU EN ALUMINIUM

UTENSILE PER SEDE CARTUCCIA



NUM. DISEGNO
 DRAWING NO.
 NUM. DESSIN

	ØA	ØB	ØC	ØD	ØE	F	G	EURO
UP2245-POS.1	Ø10	Ø10	Ø8.25	Ø7.2	Ø2.2	7.55	9.9	442,92
UP2245-POS.2	Ø10	Ø12	Ø10.2	Ø9.3	Ø4.2	8.55	11.1	465,63
UP2245-POS.3	Ø12	Ø14	Ø12.2	Ø11.3	Ø6.2	8.55	11.8	499,70
UP2245-POS.4	Ø12	Ø18	Ø16.4	Ø15.4	Ø8.2	11.55	16.1	556,92



ART. F125/1 F-CDP COLONNA DOPPIA CON DUE RONDELLE IN NYLON

RIFERIMENTO →

CODICE	FIL.	CONF.	EURO	CODICE	FIL.	CONF.	EURO
F-CSP /005	M5	25	1,21	F-CSP /000	1/8"	25	1,62
				F-CSP /001	1/4"	25	2,26
				F-CSP /002	3/8"	25	2,40



ART. F125/1 F-CDP COLONNA DOPPIA CON TRE RONDELLE IN NYLON

RIFERIMENTO →

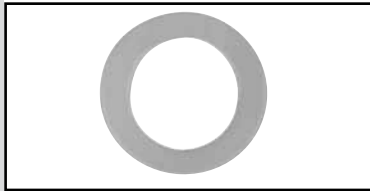
CODICE	FIL.	CONF.	EURO	CODICE	FIL.	CONF.	EURO
F-CDP /000	1/8"	25	2,26	F-CDP /001	1/4"	25	2,49
				F-CDP /002	3/8"	25	3,14



ART. F126 F-RA RONDELLA IN ALLUMINIO

RIFERIMENTO →

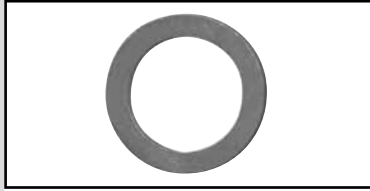
CODICE	FIL.	CONF.	EURO	CODICE	FIL.	CONF.	EURO
F-RA /005	M5	100	0,07	F-RA /001	1/4"	100	0,09
F-RA /000	1/8"	100	0,07	F-RA /002	3/8"	100	0,10
				F-RA /003	1/2"	100	0,14
				F-RA /006	3/4"	50	0,16
				F-RA /007	1"	50	0,21



ART. F127 F-RN RONDELLA IN NYLON

RIFERIMENTO →

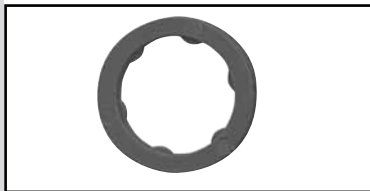
CODICE	FIL.	CONF.	EURO	CODICE	FIL.	CONF.	EURO
F-RN /005	M5	100	0,14	F-RN /001	1/4"	100	0,19
F-RN /000	1/8"	100	0,15	F-RN /002	3/8"	100	0,21
				F-RN /003	1/2"	100	0,28
				F-RN /006	3/4"	50	0,43
				F-RN /007	1"	50	0,49



ART. F128 F-RR RONDELLA IN RAME

RIFERIMENTO →

CODICE	FIL.	CONF.	EURO	CODICE	FIL.	CONF.	EURO
F-RR /005	M5	100	0,09	F-RR /001	1/4"	100	0,21
F-RR /000	1/8"	100	0,14	F-RR /002	3/8"	100	0,27
				F-RR /003	1/2"	100	0,34
				F-RR /006	3/4"	50	0,46
				F-RR /007	1"	50	0,74



ART. F129 F-RND RONDELLA IN NYLON DENTATA

RIFERIMENTO →

CODICE	FIL.	CONF.	EURO	CODICE	FIL.	CONF.	EURO
F-RND /005	M5	100	0,21	F-RND /003	1/2"	100	0,34
F-RND /000	1/8"	100	0,21	F-RND /006	3/4"	100	0,36
F-RND /001	1/4"	100	0,24	F-RND /007	1"	100	0,44